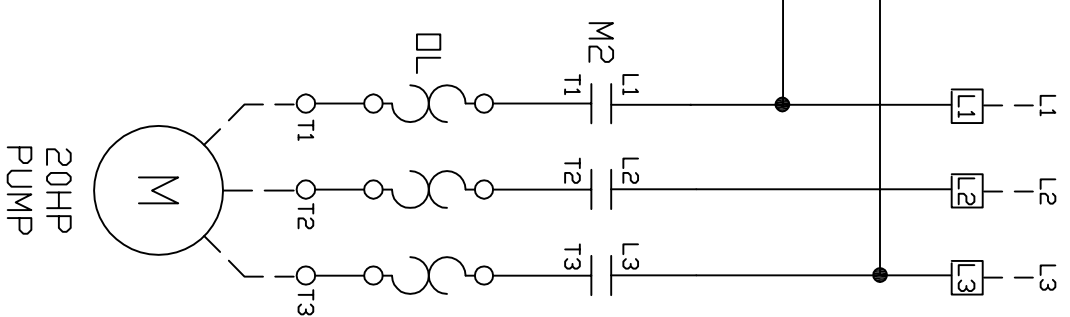
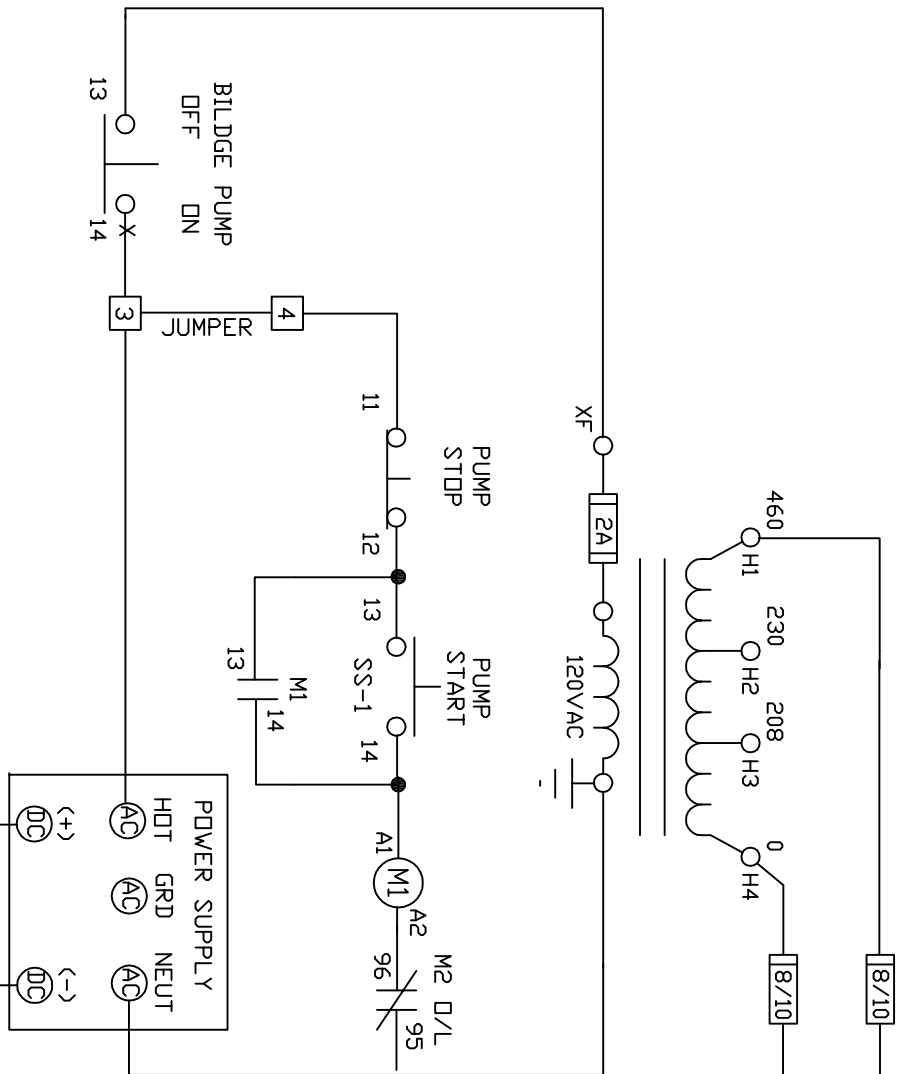


*NOTE: TRANSFORMER CONNECTED FOR 460VAC PRIMARY VOLTAGE. FOR ANY OTHER VOLTAGE, TRANSFORMER PRIMARY LEADS MUST BE CHANGED TO APPROPRIATE TERMINALS.



ZONE	REV	DESCRIPTION	DATE	APPROVED
L1				
L2				
L3				

APPROVAL REQUIRED
 APPROVED BY: _____

DATE: _____

DRAWING FOR REFERENCE ONLY.
 ALL WORK TO BE PERFORMED BY QUALIFIED
 ELECTRICIAN FOLLOWING ALL APPLICABLE CODES.
 SHORT CIRCUIT PROTECTION MUST BE PROVIDED.

REMOVE SHARP EDGES TOLERANCES UNLESS OTHERWISE NOTED	DATE	10-26-10	DRAWING NO.	128937-000-61
XX DIMS +/- .015	DRAWN	DWR		
XX DIMS +/- .005	CHK'D	X		
	APPR'D	X		
LOCATION G:\USERS\Engineering\Drawings\AutoCad Drawings\CUSTOMER				

460/3/60, MAX AMPS=40, SCCR 5KA, TYPE 4X

ADVANCE CONTROLS, INC.
 CORPORATE ENGINEERING
 Bradenton, FL 34203, USA

COMBD STARTER 460VAC 3PH 60HZ 20HP
 START/STOP 120VAC CONTRL
 12VDC BILDGE PUMP OFF/ON SWITCH
 TYPE 4X ENCLDURE (16" X 14" X 10")