



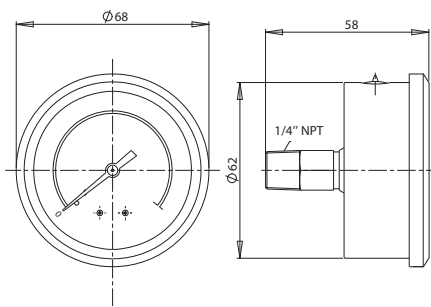
600 S GRACE STREET • PO Box 4364 • ROCKY MOUNT NC 27803
 TOLL FREE: 800-334-9720 • 252-977-1131 • FAX: 252-977-2192
 www.dascosales.com • info@dascosales.com

981 SERIES GAUGE 250BL, 250SD & 250SL Specifications

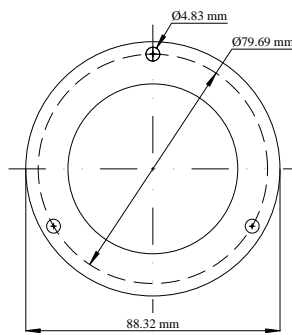
- Sizes:** 2½" - 250BL, 250SD & 250SL
- Case:** Stainless Steel
- Ring:** 250BL - Crimped Stainless Steel
 250SD & 250SL - Stainless Steel Bayonet
- Window:** Acrylic
- Dial:** White with black & blue scales
- Pointer:** Black aluminum
- Connection:** 1/4" NPT Back & Lower*
- Tube & Socket:** 250BL - Brass/Bronze
 250SD & 250SL - SS
- Movement:** 250BL - Brass
 250SD & 250SL - SS
- Ranges:** See Range Availability Chart Below
 All Ranges are dual scale PSI & Bar/Kpa
- Accuracy:** ASME B40.1, Grade B. ± 3-2-3%
- Liquid Fill:** Glycerine (BL & SL Models are liquid filled;
 SD is field fillable)
- Options:** Front Flange or U-Clamp for panel mounting



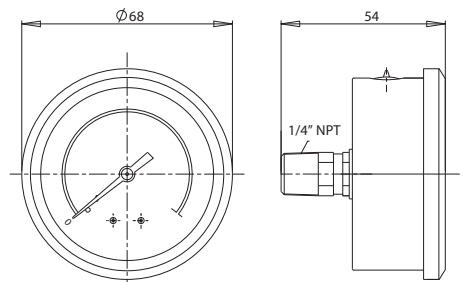
	Vac	Vac/15	Vac/30	Vac/60	Vac/100	Vac/160	Vac/300	0/15	0/30	0/60	0/100	0/160	0/200	0/300	0/400	0/600	0/1000	0/1500	0/2000	0/3000	0/5000	0/6000	0/10,000
2½" 250BL 02L	X	X	X	X	X	X		X	X	X	X	X	X	X	X	X	X	X	X	X	X	X	X
2½" 250BL 02B	X	X	X	X	X	X		X	X	X	X	X	X	X	X	X	X	X	X	X	X	X	X
2½" 250SL 02L	X	X	X	X	X	X	X	X	X	X	X	X	X	X	X	X	X	X	X	X	X	X	X
2½" 250SL 02B	X	X	X	X	X	X	X	X	X	X	X	X	X	X	X	X	X	X	X	X	X	X	X
2½" 250SD 02L	X	X	X	X	X	X	X	X	X	X	X	X	X	X	X	X	X	X	X	X	X	X	X
2½" 250SD 02B	X	X	X	X	X	X	X	X	X	X	X	X	X	X	X	X	X	X	X	X	X	X	X



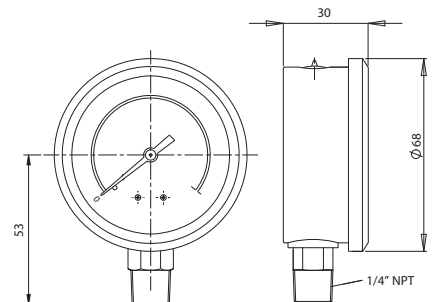
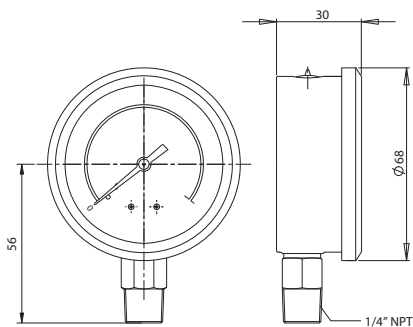
250BL



Minimum Panel Cutout: 60mm
 Maximum Panel Cutout: 65mm



250SD & 250SL



All Dimensions are shown in mm