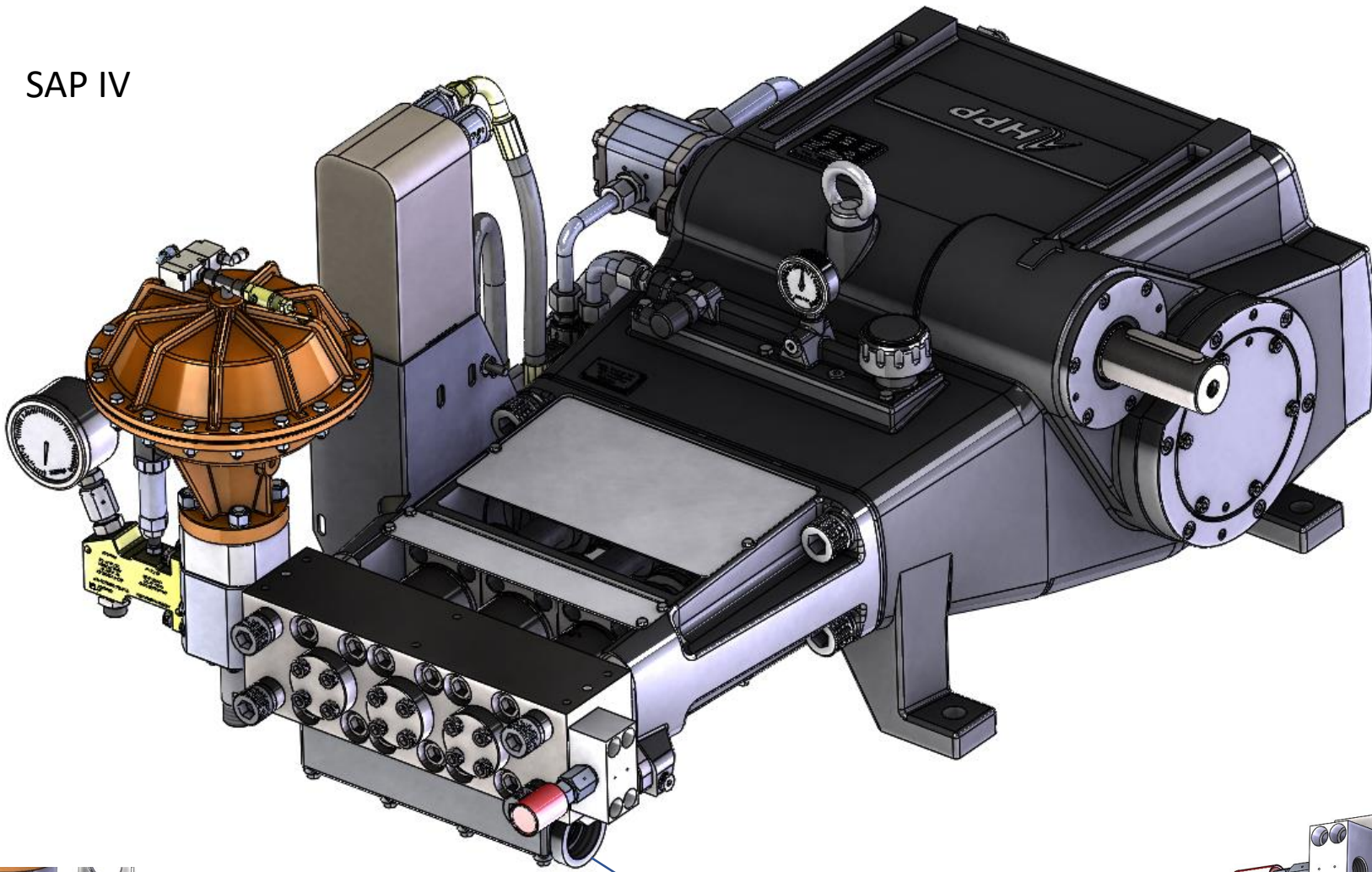


SAP IV



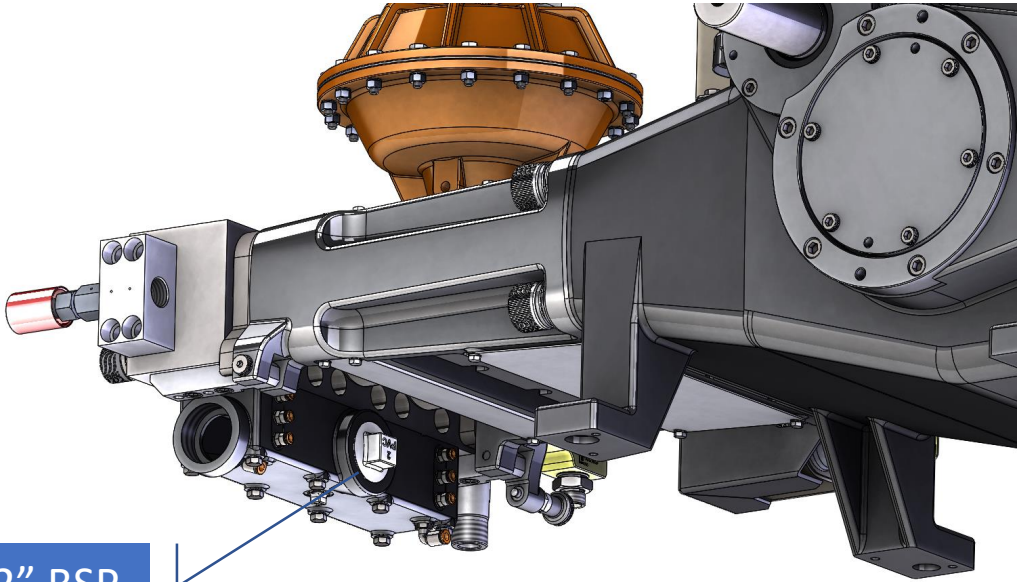
SUCTION SIDE

PRESSURE SIDE

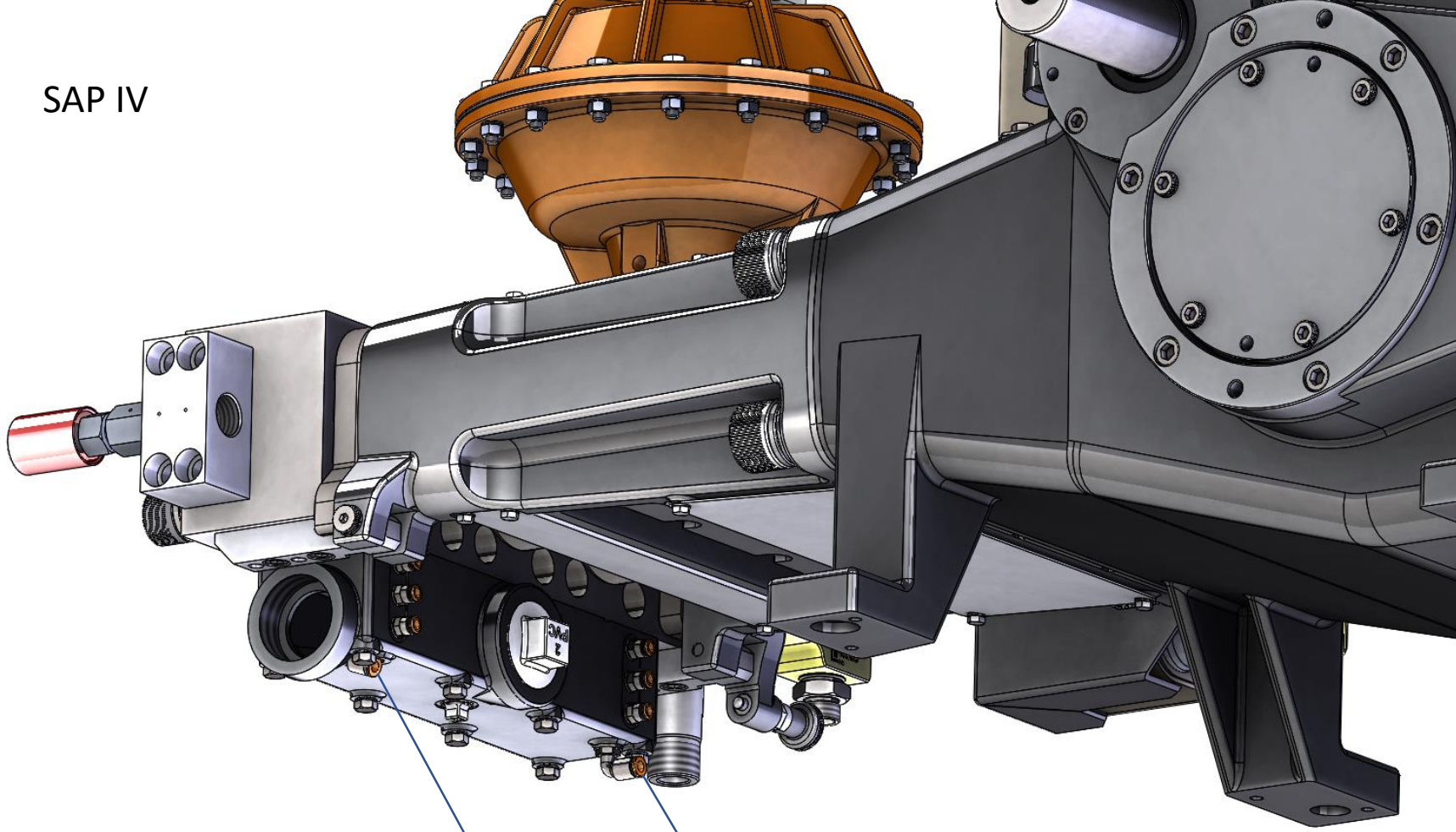
FEMALE 2" BSP

SWIVEL
MALE 1.1/2"

FEMALE 2" BSP



SAP IV



SUCTION SIDE

PRESSURE SIDE

PLUNGER COOLING OUTLET
8mm HOSE

PLUNGER COOLING INLET
8mm HOSE

SAP IV

PRESSURE TRANSMITTER
MONTING
FEMALE 1/4" BSP

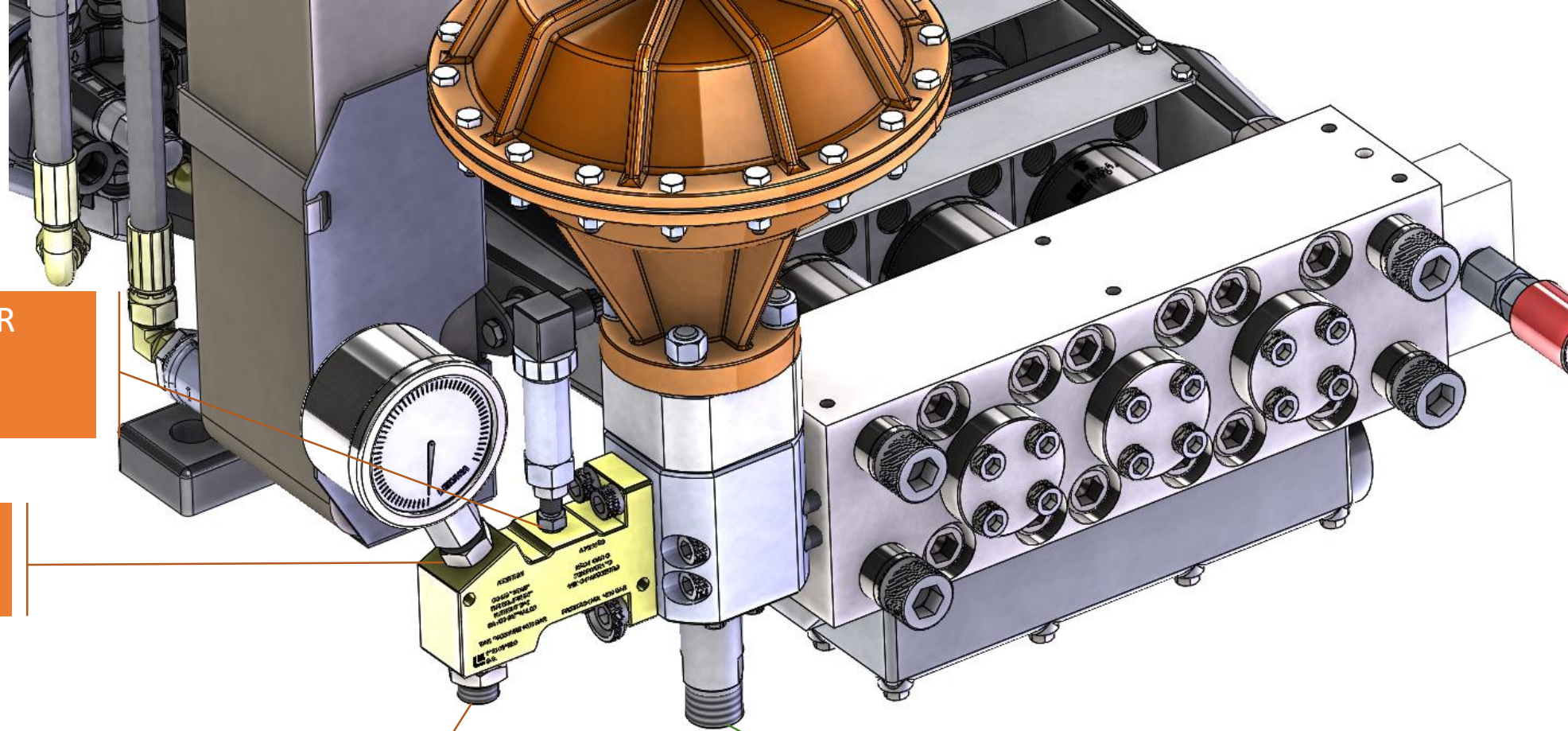
GAUGE MONTING
FEMALE M24 PL

HIGH PRESSURE OUTLET
MALE M24 DKO or M36 DKO

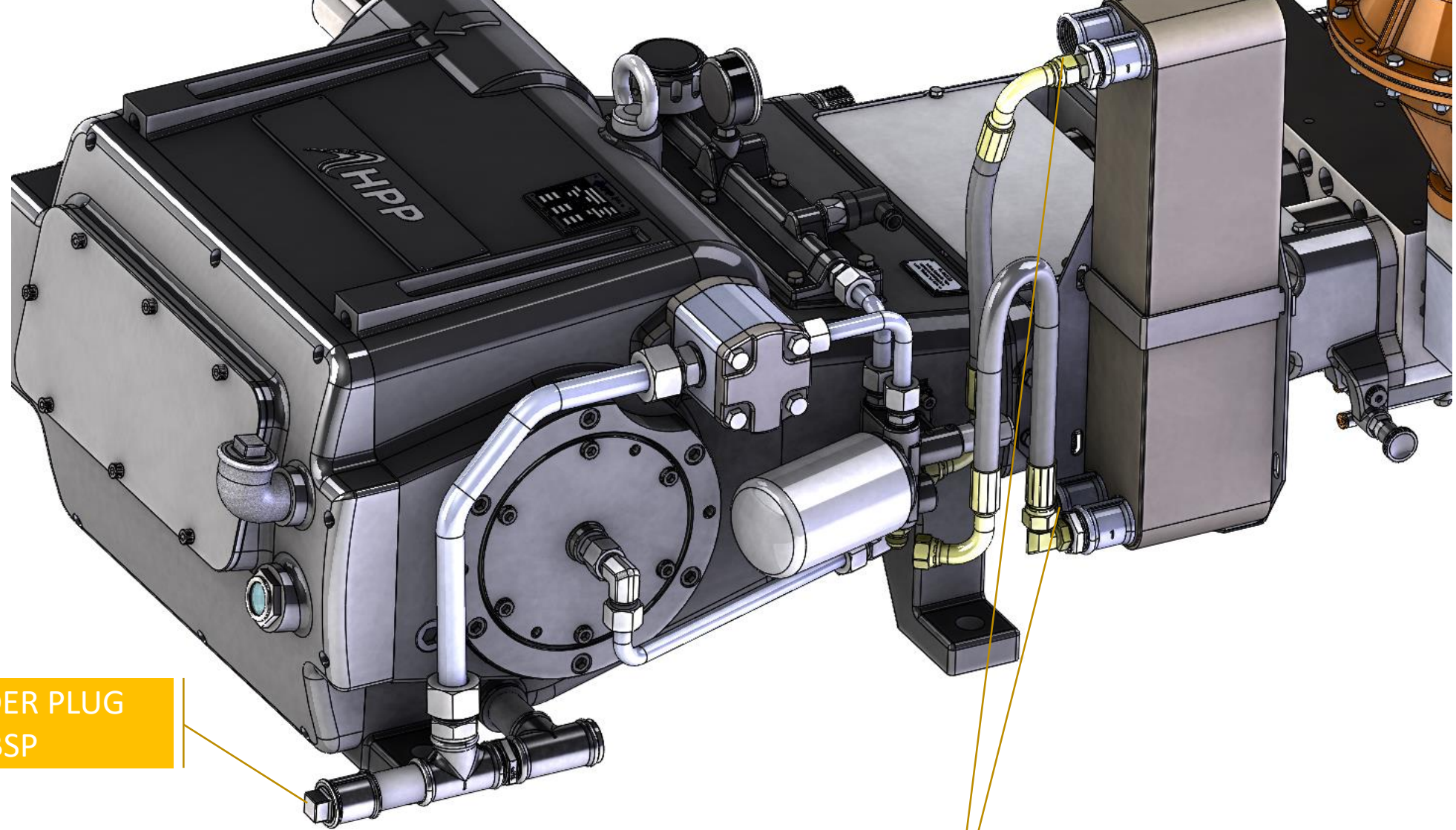
PRESSURE REGULATOR DISCHARGE
MALE 1" BSP

SUCTION SIDE

PRESSURE SIDE



SAP IV



OIL BLEEDER PLUG
1" BSP

HEAT EXCHANGER
WATER INLET/OUTLET
1" BSP